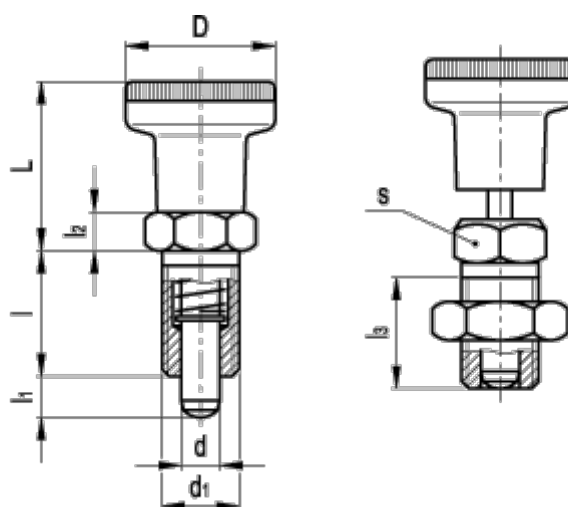


Data Sheet



Article number: 2308051511
Description: E+G Index plunger
PMT.100-8-M16x1.5-A

Measures



Code = PMT.100-8-M16x1,5-A	l3	= 23
D = 31	Max. axial load (N)	= 30
d = 8	s	= 19
d1 = M16x1.5		
l = 26		
L = 35		
l1 = 8		
l2 = 8		